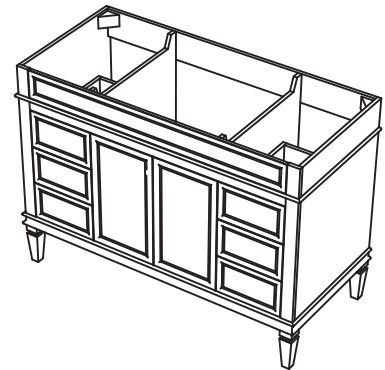
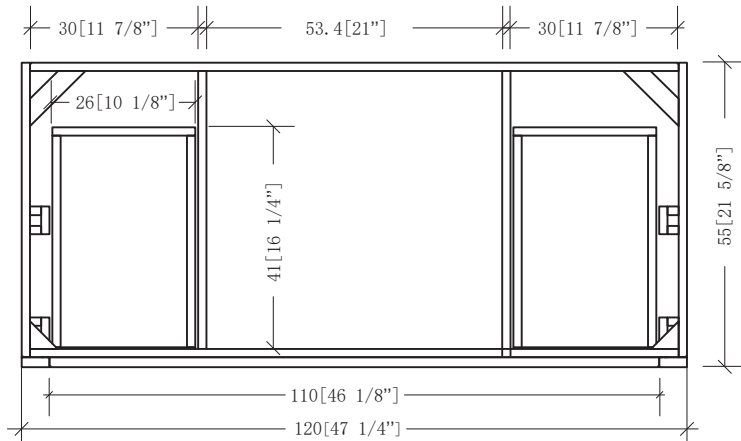
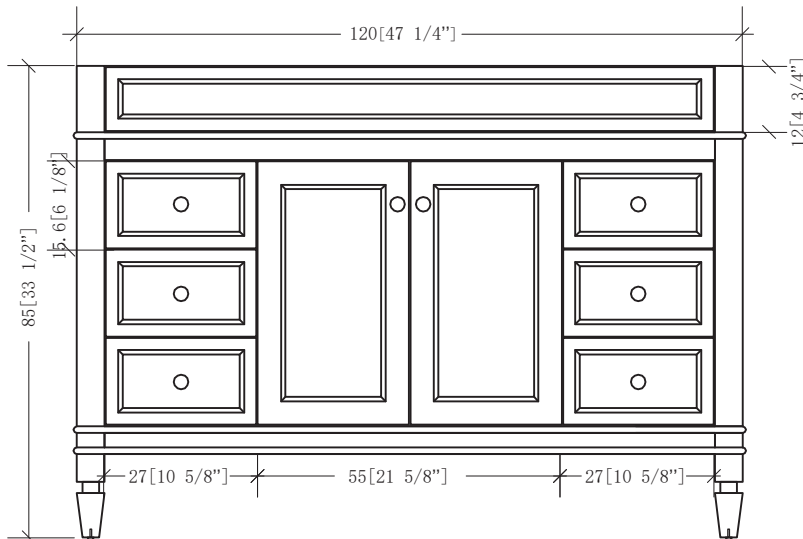


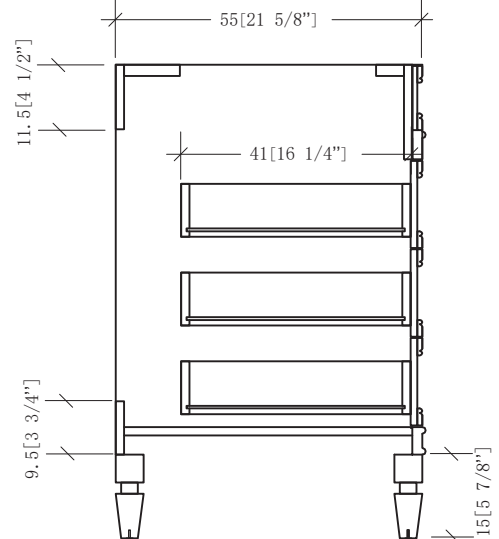
Top View / Vue de haut



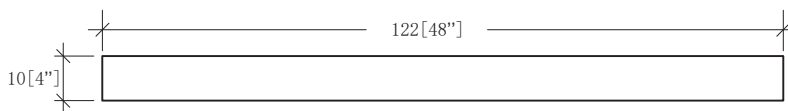
Front View / Vue avant



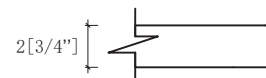
Side View / Vue de côté



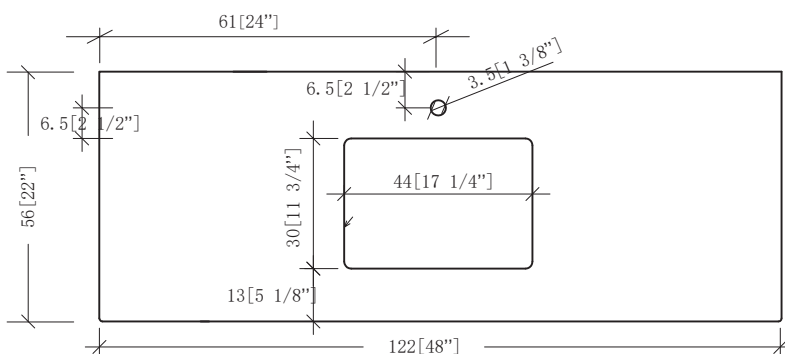
Backsplash / Dossier anti-éclaboussure



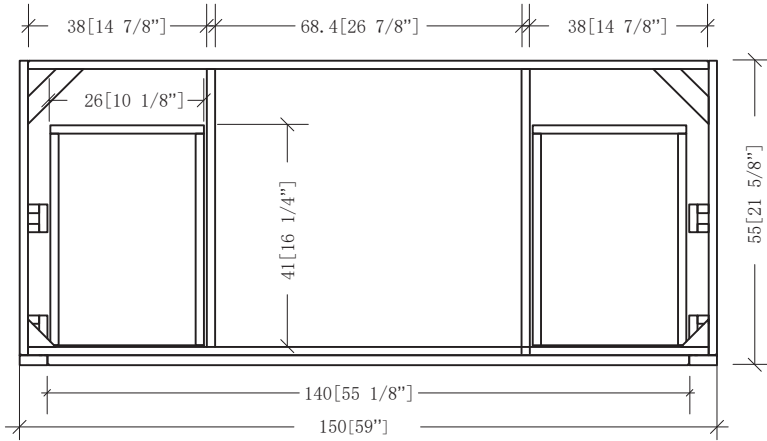
Edge Profile / Profil



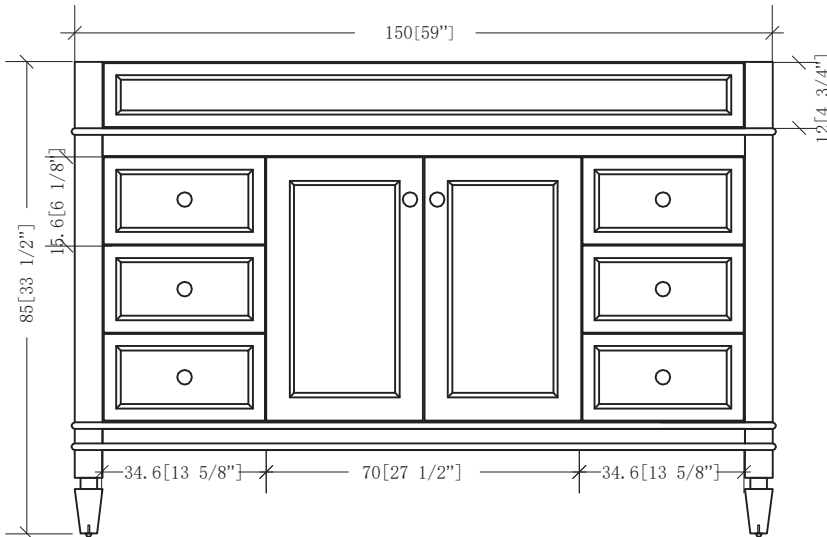
Vanity Top / Dessus du meuble-lavabo



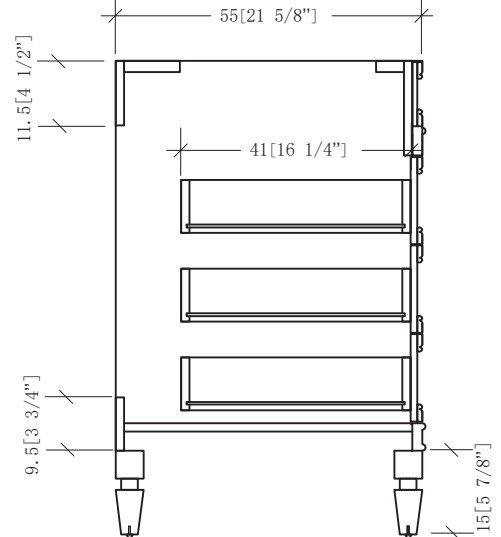
Top View / Vue de haut



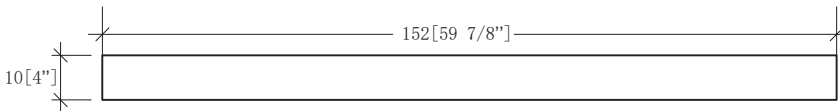
Front View / Vue avant



Side View / Vue de côté



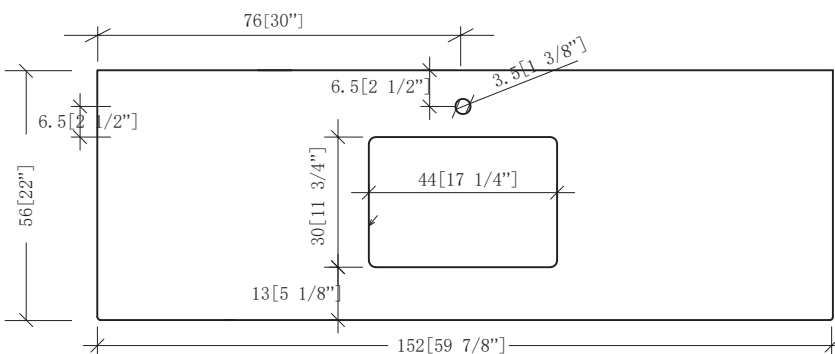
Backsplash / Dossieret anti-éclaboussure



Edge Profile / Profil



Vanity Top / Dessus du meuble-lavabo



Solid Wood Cabinetry Care & Maintenance

ABOUT WOOD AND MOISTURE

Wood has an affinity for moisture. Water moves up the trunks of trees through the pores and fibers of the wood – drawn from the ground by the transpiring leaves. When the tree is alive, the wood fibers are saturated with water; approximately 30% of the weight of such wood is composed of water. This wood is said to be at 30% moisture content.

After a tree is cut, water continues to move through wood until it reaches equilibrium with its environment. In a conditioned home, at around 75 °F and 55% relative humidity, wood reaches equilibrium at about 8% moisture content.

Wood changes dimension as its moisture content changes

For example, imagine that you have a white oak board on your porch, and due to the ambient relative humidity, it comes to equilibrium at 14% moisture content and it measures 12" wide. Then, you bring it inside for the winter. You turn on the heat, driving the relative humidity to 25%. The white oak board now comes to equilibrium at 5% moisture content, and the board measures 11⁵/₈" in width! The wood fibers themselves do not change in length – all changes in dimension is across or perpendicular in the grain. Finishes slow this movement of water in and out of the wood, but do not stop it completely.

Thus, we must anticipate and design for some dimensional changes in use. The wood in many homes will be subjected to changes in moisture content from 6–10%, so we are careful to build our furniture at 8% moisture content. The vanities can withstand periods of high or low humidity where the wood might reach 4% or 12%, but further extremes and rapid changes could cause cracks, raised grain and expansion and contraction. Cabinets should not be stored or installed in an uncontrolled climate environment, as expansion and contraction of wood joint and delamination of veneer may occur.

MAINTENANCE OF YOUR WOOD VANITY

Regular Dusting

Use a lint free cloth for regular dusting. Do not use pre-moistened dusting sheets (they may damage the finish).

Cleaning

For everyday cleaning use a damp cloth and dry immediately. To remove general soil or grease, we recommend Murphy Oil Soap Original Formula. It is a great cleaner for all of your wood surfaces www.colgate.com/MurphyOilSoap.

Waxing & Polishing

Waxing is not recommended. If polishing is desired, then a small amount of lemon oil applied to a clean, dry cloth may be applied to the finish.

Melamine/Veneer Cabinetry Care & Maintenance

MELAMINE

It is an easily cleaned and hygienic surface which can be maintained by occasionally wiping over with a dry or damp clean cloth.

Dust can easily be removed using a dry/damp soft clean cloth. Soiled surfaces can usually be cleaned with a soft clean cloth or sponge dampened with warm soapy water or a mild household detergent and wiped with a damp clean cloth to remove any remaining soap or detergent. Then dry with an absorbent paper towel or microfibre cloth.

Spillages must be removed immediately, the area washed with warm soapy water to remove any remaining spilled liquid or powder, finished with a damp soft cloth and then dried.

The following cleaning agents **SHOULD NOT** be used:

- Scouring and abrasive agents (abrasive powders, scourers, steel wool).
- Polish, washing powder, furniture cleaner, bleach.
- Detergents with strong acids and acidic salts.
- Steam cleaning equipment.
- Never use substances that leave traces (waxes or oils for instance).
- Hot objects should not be deposited on the surface, as this may result in discoloration.

VENEER

Veneer is a natural wood product, so it requires more attention than other surfaces. When veneer is properly cared for, it will last long and keep looking beautiful. To maintain the quality of your products, please follow the cleaning procedures outlined here.

Normal Cleaning

Dust regularly with a slightly damp, soft, lint-free cloth. Wipe dry with a dry, soft cloth in the direction of the wood grain. Spills should be immediately wiped up with a damp cloth.

Once a Month

Clean the surface with a soft cloth dampened with a quality cleaner formulated for wood furniture. Wipe the surface in the direction of the wood grain to remove dirt and fingerprints. Wipe dry with a clean, dry cloth.

Twice a Year

Apply a good quality furniture polish with a soft cloth. Do not use aerosol-powered cleaners or polishes. Also, do not use polishes containing waxes or abrasives, or polishes that are oil based.

Stains

Veneers have resistance to wear, light, stains, water, and pressure.

Quartz Top Care & Maintenance

SEALING

Quartz vanity tops are polished products and therefore require no sealing.

CLEANING QUARTZ

Quartz is not only durable, it is also very easy to keep clean. Its non-porous nature also makes it more difficult for bacteria, mold and mildew to grow, which makes it an ideal choice for bathrooms.

Tips for Cleaning

1. Clean with a soft rag and PH-balanced detergent if necessary. The detergent must be non-bleach and non-abrasive.
2. Wipe away liquids, stains and spills as soon as possible.
3. For dried or heavy stains, use a glass cleaner and a non-abrasive sponge. Spray cleaner over the counter and leave for 8 to 10 minutes, then wipe away with the non-scratch sponge.
4. For gum, grease or paint, remove with a plastic knife and then clean the rest with a soft rag.

TO AVOID DAMAGE

Generally, in order to care for Quartz vanity tops, one must avoid quick changes in temperature, hard pressure and scratching or impact.

Tips for Avoiding Damage

1. "Thermal shock" (a quick change in temperature) must be avoided. Do not set flat irons, hair dryers, etc., directly on the Quartz surface.
2. Sharp tools must not be used directly on the Quartz surface. Quartz vanity tops are scratch resistant, but not scratch-proof. A forceful hit can chip the vanity top.

Marble Top Care & Maintenance

MARBLE STONE

Marble is porous and can be damaged by spilling an acidic substance on it. One splash can etch the marble, leaving a permanent, dull scar. Prevention is key with marble countertops. Mop up spills as soon as they happen so they don't have time to etch the surface. You can keep your marble scar-free and lovely if you care for it properly.

CARE & MAINTENANCE

You don't need specialty cleaners for marble. Mild soap and hot water will do just fine. Wipe sudsy water on the counter with a soft cloth or sponge. This will remove dirt but won't heal any etching or stains. You can give your marble a little protection from stains and etching by using spray sealant at least once a month. You're still going to have to wipe up spills immediately to avoid damage, but the sealant will give you a little more time to mop before the staining starts.

TO AVOID DAMAGE

Do not use vinegar, Windex or bleach on marble. A single use of these acidic substances will eat into a marble countertop's surface and dull the stone. Don't use abrasive cleaner or pads, either, because marble can be scratched.

Warranty

1-YEAR LIMITED WARRANTY ON WOOD PRODUCTS

VanGo Designer Vanities products are manufactured by Rock Solid Supply (Manufacturer). VanGo Designer Vanities warrants to the original consumer purchasers for a period of 1 year from the original date of purchase on all our Wood Products that they will be free from defects in material and workmanship under normal use.

LIMITED LIFETIME WARRANTY ON DRAWER SLIDES AND DOOR HINGES

VanGo Designer Vanities warrants to original consumer purchasers for as long as they own their homes that all Drawer Slides and Door Hinges will be free from defects in material and workmanship under normal use for the lifetime of the product.

LIMITED LIFETIME WARRANTY ON PORCELAIN SINKS

VanGo Designer Vanities warrants to the original consumer purchasers for as long as they own their homes that our Porcelain Sinks will be free from defects in material and workmanship under normal use for the lifetime of the product.

LIMITED LIFETIME WARRANTY ON STONE TOPS

VanGo Designer Vanities warrants to the original consumer purchasers for as long as they own their homes that our Stone Tops will be free of defects in material and workmanship under normal use for the lifetime of the product.

These warranties are applicable only to products used in residential applications within Canada and are not transferable to subsequent owners.

It is VanGo Designer Vanities' sole discretion to repair or replace any defective product(s). Should defects in material or workmanship exist during the applicable warranty period in any of VanGo Designer Vanities products, the Manufacturer will elect at its discretion to either repair or replace the defective material or component free of charge. If a full replacement is warranted, the Manufacturer will replace the product with the same or similar product of equal value. This warranty is expressly limited to the repair or replacement of the defective product(s) and does not cover installation or removal and any other incidental costs that may be incurred.

The warranty shall become void if any of VanGo Designer Vanities' product are in any way modified, improperly installed or damaged prior to or during the installation. Furthermore, the warranty will not apply to cabinets damaged by abuse, misuse, neglect, acts of God, exposure to moisture, exposure to extreme temperatures, effects from normal wear and tear or accident or other damages which may have occurred after original delivery of the product(s).

The repair(s) or replacement(s) are contingent upon the current product offerings of styles and construction options within the VanGo Designer Vanities product at the time of the warranty claim. If a warranty claim is filed after a VanGo Designer Vanities product becomes obsolete, the Manufacturer reserves the right to honor the warranty in one of the following fashions:

1. To replace the affected component with a new component of the same style.
2. To replace the affected component and any other component(s) in the residential application to achieve a uniform appearance with a similar and comparable product style of the originally purchased style.
3. To replace the originally purchased products, with a similar and/or comparable product(s) up to an equal value to the cost as the originally purchased product(s) unit.

If components are replaced, the Manufacturer cannot guarantee that the finish of these replacements will exactly match the finish and appearance of the components in the residential application. This is due to the changes that occur during the wood's natural aging process, affecting its color and grain.

Natural products such as wood and stone are selected for their distinct look and textures. Wood has unique grain patterns, knots and colour variances. These unique characteristics are what set solid wood apart from laminates and other imitation wood products. Natural Stone has pits, fissures, veining and inclusions that occur naturally and enhances its beauty and



value. These inclusions are what set natural stone apart from manmade materials. The natural occurring characteristics of both wood and stone are not defects and are not warranted for replacement unless they weaken or compromise the integrity of the vanity cabinet or stone top.

Natural woods may vary in color and characteristics and exhibit subtle changes as they age. Sunlight, smoke, household cleaners and other environmental conditions may also affect the color match over time. These variations are considered to be the nature of the materials in relation to their environmental exposure and are not covered under this warranty.

VanGo Designer Vanities reserves the right to alter design, specifications and material without obligation to make similar changes to products previously manufactured.

The hardwood we use to manufacture your vanity cabinet has been kiln dried. This low moisture content combined with the design of the doors and drawers will be able to withstand normal seasonal moisture (humidity) variations found within your home. Your home should be maintained at approximately 40-50% relative humidity. If the moisture level is too low then doors and joints in the wood can shrink and open. If the humidity level is too high the doors and joints could possibly swell and split. To balance the humidity levels in your home a humidifier or a dehumidifier may be required.

To obtain replacement(s) under VanGo Designer Vanities' 1-Year and Limited Lifetime warranties, first contact your authorized dealer or distributor, who will arrange for inspection of the cabinet. A dated sales receipt as proof of purchase is required to obtain benefits from this warranty.

If you have difficulty obtaining assistance, please contact our Corporate Head Office:

E: customerservice@vangovanities.com

Entretien et maintenance d'ébénisterie en bois massif

À PROPOS DU BOIS ET DE L'HUMIDITÉ

Le bois possède une affinité pour l'humidité. L'eau se déplace en montant les troncs des arbres à travers les pores et les fibres du bois — tirée du sol par les feuilles transpirantes. Lorsque le bois est vivant, les fibres de bois sont saturées d'eau; environ 30 % du poids d'un tel bois est composé d'eau. On peut dire que ce bois est à une teneur en humidité de 30 %.

Après qu'un arbre est coupé, l'eau continue à se déplacer à travers le bois jusqu'au moment où il atteint un équilibre avec son environnement. Dans un domicile conditionné à environ 24 °C/75 °F et 55 % d'humidité relative, le bois atteint son équilibre à environ 8 % de teneur en humidité.

Le bois change de dimension suivant le changement de teneur en humidité.

Par exemple imaginez que sur votre perron, il se trouve une planche de chêne blanc, et à cause de l'humidité relative ambiante, elle atteint son équilibre à une teneur en humidité de 14 % et elle mesure 304,8 mm/12 po de largeur. Ensuite, vous l'apportez à l'intérieur pour l'hiver. Vous allumez la chaleur, menant l'humidité relative à 25 %. La planche de chêne blanc établit son équilibre maintenant à une teneur en humidité de 5 % et la planche mesure 295,2 mm/11 5/8 po de largeur. Les fibres du bois elles-mêmes ne changent pas en longueur — tous les changements dans la dimension se produisent à travers ou perpendiculairement au grain du bois. Les finitions ralentissent ce mouvement d'eau à l'intérieur et à l'extérieur du bois, mais elles ne l'arrêtent pas complètement.

Donc, nous devons anticiper et concevoir des changements dimensionnels lors de son utilisation. Le bois dans un grand nombre de domiciles sera sujet à des changements de teneur en humidité de 6 à 10 %; alors, nous sommes prudents de construire nos meubles à une teneur en humidité de 8 %. Les meubles-lavabos peuvent résister à des périodes d'humidité élevée ou faible, là où le bois pourrait atteindre 4 % ou 12 %; en outre, des extrêmes supplémentaires et des changements rapides pourraient occasionner des fentes, le grain du bois surélevé et de l'expansion et de la contraction. Les cabinets ne doivent pas être entreposés ou installés dans un environnement climatique non contrôlé, car l'expansion et la contraction de joints en bois et le délaminage de placage pourraient se produire.

MAINTENANCE DE VOTRE MEUBLE-LAVABO

ÉPOUSSETAGE RÉGULIER

Utilisez un chiffon non pelucheux pour l'époussetage régulier. N'utilisez pas de feuilles à époussetage pré-humidifiées (elles pourraient endommager la finition).

NETTOYAGE

Pour le nettoyage quotidien, utilisez un chiffon humide et séchez immédiatement. Pour enlever de la saleté générale ou de la graisse, nous recommandons l'utilisation de Murphy Oil Soap Original Formula. Celui-ci est un nettoyant formidable pour toutes vos surfaces en bois www.colgate.com/MurphyOilSoap.

CIRAGE ET POLISSAGE

Le cirage n'est pas recommandé. Si le polissage est souhaité, alors une petite quantité d'huile de citron versée sur un chiffon sec propre peut être appliquée à la finition.

Soins et maintenance d'ébénisterie en mélamine et placage

MÉLAMINE

C'est une surface hygiénique facile à nettoyer, laquelle peut être maintenue par l'essuyage occasionnel d'un chiffon sec ou humide propre.

La poussière peut se faire enlever facilement avec un chiffon propre doux sec ou humide. D'habitude, les surfaces sales peuvent être nettoyées avec un chiffon propre doux ou une éponge humidifiée avec du savon et de l'eau chaude ou bien avec un détergent doux ménager et essuyé avec un chiffon propre humide pour enlever tout savon ou détergent qui reste. Alors, essuyez-le avec un essuie-tout absorbant ou bien un chiffon microfibre.

Les renversements doivent être enlevés immédiatement, la zone doit être lavée avec de l'eau savonneuse chaude pour enlever tout liquide ou toute poudre renversés qui reste. Finissez cette tâche avec un chiffon doux humide et puis séchez-la.

Les substances de nettoyage suivantes NE DOIVENT PAS être utilisées :

- Produits de récurage et abrasifs (poudres abrasives, articles pour le récurage, laine d'acier).
- Du poli, de la poudre à laver, du nettoyant pour mobilier, de l'eau de javel.
- Détergents fortement acides et sels acides.
- Équipement de nettoyage à vapeur.
- N'utilisez jamais de substances qui laissent des traces (par exemple, cires ou huiles).
- Les objets chauds ne doivent pas être déposés sur la surface, car ceci pourrait occasionner une décoloration.

PLACAGE

Le placage est un produit de bois naturel, alors il nécessite plus d'attention que d'autres surfaces. Lorsque le placage est bien entretenu, il durera longtemps et il conservera sa belle allure. Pour maintenir la qualité de vos produits, veuillez suivre les procédures de nettoyage décrites ici.

NETTOYAGE ORDINAIRE

Époussetez-le de façon régulière avec un chiffon non pelucheux un peu humide. Essuyez au sec avec un chiffon doux sec dans la direction du grain du bois. Les déversements devraient être essuyés immédiatement avec un chiffon humide.

UNE FOIS PAR MOIS

Nettoyez la surface avec un chiffon doux humide avec un nettoyant de qualité formulé particulièrement pour meubles en bois. Essuyez la surface dans la direction du grain du bois pour enlever la saleté et les empreintes digitales. Essuyez-la au propre avec un chiffon propre sec.

DEUX FOIS PAR ANNÉE

Effectuez une application d'une encaustique pour meubles avec un chiffon doux. N'utilisez pas de nettoyants alimentés par de l'aérosol ou des polis. Aussi, n'utilisez pas de polis qui contiennent des cires ou des substances abrasives, ou bien des polis à base d'huile.

TACHES

Les placages possèdent une résistance à l'usure, à des taches légères, à l'eau et à la pression.

Entretien et maintenance du dessus en quartz

ÉTANCHÉIFICATION

Les dessus des meubles-lavabos en quartz sont des produits qui ont été polis et par conséquent ne nécessitent aucun scellage.

LE NETTOYAGE DE QUARTZ

Le quartz est non seulement durable, mais il est aussi très facile à tenir propre. Sa nature non poreuse fait en sorte qu'il est plus difficile pour les bactéries, la moisissure à pousser, ce qui fait de ce produit le choix idéal pour les salles de bains.

CONSEILS POUR LE NETTOYAGE

1. Nettoyez-le avec un chiffon doux et un détergent à PH équilibré si nécessaire. Le détergent doit être sans javel et non abrasif.
2. Essuyez les liquides, les taches et les déversements le plus vite possible.
3. Pour des taches sèches ou tenaces, utilisez un nettoyant pour verre et une éponge non abrasive. Vaporisez le nettoyant sur le comptoir et laissez-le pendant 8 à 10 minutes, et puis essuyez-le avec une éponge qui ne peut pas rayer la surface.
4. Pour de la gomme à mâcher, de la graisse ou de la peinture, enlevez ceci avec un couteau en plastique et puis nettoyez le restant avec un chiffon doux.

POUR ÉVITER LES DOMMAGES

En général, afin d'entretenir les dessus des meubles-lavabos en quartz, on doit éviter les changements rapides de température, une forte pression, des rayures ou de l'impact.

CONSEILS POUR ÉVITER LES DOMMAGES

1. « Choc thermique » (un changement rapide de température) doit être évité. Ne déposez pas de fers plats, de sècheurs à cheveux, etc., directement sur la surface en quartz.
2. Des outils tranchants ne doivent pas être utilisés directement sur la surface en quartz. Les dessus des meubles-lavabos sont résistants aux égratignures, mais non à l'épreuve des égratignures. Une frappe énergique peut ébrécher le dessus du meuble-lavabo.

Entretien et maintenance du dessus en marbre

PIERRE DE MARBRE

Le marbre est poreux et peut être endommagé s'il se produit un déversement d'une substance acide dessus. Une éclaboussure peut ébrécher le marbre, y laissant une cicatrice permanente terne. La prévention est clé pour les comptoirs en marbre. Ramassez les déversements dès qu'ils se produisent pour qu'ils n'aient pas le temps d'ébrécher la surface. Vous pouvez garder votre marbre libre de cicatrices et beau si vous le maintenez adéquatement.

SOINS ET MAINTENANCE

Vous n'avez pas besoin de nettoyants spécialisés pour du marbre. Du savon doux et de l'eau chaude seront adéquats. Essuyez de l'eau savonneuse sur le comptoir avec un chiffon doux ou une éponge. Ceci enlèvera la saleté, mais ne réparera pas les brèches ni les taches. Il est possible de donner un peu de protection à votre marbre contre les taches et les brèches en utilisant un calfeutrage par pulvérisation au moins une fois par mois. Il vous faudra toujours avoir à essuyer tous les déversements immédiatement pour éviter des dommages, mais le produit d'étanchéité vous donnera un peu plus de temps à les essuyer avant que la coloration ne commence.

POUR ÉVITER LES DOMMAGES

N'utilisez pas de vinaigre, de Windex, d'eau de javel sur le marbre. Une simple utilisation de ces substances acides et celles-ci mangeront à l'intérieur de la surface du comptoir en marbre et terniront la pierre. N'utilisez pas non plus de nettoyants ni de tampons abrasifs, car le marbre peut être égratigné.

Garantie

GARANTIE LIMITÉE DE 1 AN SUR LES PRODUITS DE BOIS

Les produits de VanGo Designer Vanities sont fabriqués par Rock Solid Supply (fabricant). VanGo Designer Vanities garantit au consommateur/acheteur original pendant une période d'un an à compter de la date d'achat que nos produits de bois seront exempts de tout défaut de matériel et de fabrication dans des conditions normales d'utilisation.

GARANTIE À VIE LIMITÉE SUR LES GLISSIÈRES DE TIROIR ET LES CHARNIÈRES DE PORTE

VanGo Designer Vanities garantit au consommateur/acheteur original pendant une période d'un an à compter de la date d'achat que nos glissières de tiroir et charnières de porte seront exempts de tout défaut de matériel et de fabrication dans des conditions normales d'utilisation.

GARANTIE À VIE LIMITÉE SUR LES ÉVIERS DE PORCELAINES

VanGo Designer Vanities garantit au consommateur/acheteur original pendant une période d'un an à compter de la date d'achat que nos éviers de porcelaine seront exempts de tout défaut de matériel et de fabrication dans des conditions normales d'utilisation.

GARANTIE À VIE LIMITÉE SUR LES COMPTOIRS DE PIERRE

VanGo Designer Vanities garantit au consommateur/acheteur original pendant une période d'un an à compter de la date d'achat que nos comptoirs de pierre seront exempts de tout défaut de matériel et de fabrication dans des conditions normales d'utilisation.

Ces garanties s'appliquent uniquement aux produits utilisés dans les applications résidentielles au Canada et ne sont pas cessibles aux propriétaires ultérieurs.

Il sera laissé à la discrétion de VanGo Designer Vanities de réparer ou remplacer tout produit défectueux. Tout défaut de matériau ou de fabrication doit être présent durant la période de garantie applicable à l'un des produits de VanGo Designer Vanities, et le Fabricant choisira, à sa discrétion, de réparer ou remplacer le matériel ou composant défectueux gratuitement. Si un remplacement complet est justifié, le fabricant remplacera le produit par le produit identique ou similaire de valeur égale. Cette garantie est expressément limitée à la réparation ou au remplacement du ou des produit(s) défectueux et ne couvre pas l'installation ou l'enlèvement et tous les autres coûts indirects qui peuvent être encourus.

La garantie devient nulle si le produit de VanGo Designer Vanities est en quelque sorte modifiés, incorrectement installé ou endommagé avant ou pendant l'installation. En outre, la garantie ne s'appliquera pas aux armoires endommagées par abus, mauvaise utilisation, négligence, fortuit, exposition à l'humidité, exposition à des températures extrêmes, les effets de l'usure normale ou d'un accident ou tout autre dommage qui aurait pu se produire après la livraison originale du ou des produit(s).

Les réparations ou les règles dépendent de l'offre actuelle de styles et d'options de construction des produits de VanGo Designer Vanities au moment de la réclamation de garantie. Si une réclamation est déposée après qu'un produit de VanGo Designer Vanities devient obsolète, le Fabricant se réserve le droit d'honorer la garantie de l'une des manières suivantes :

1. Remplacer le composant affecté par un nouveau composant du même style.
2. Remplacer le composant affecté et tout autre composant de l'application résidentielle afin d'obtenir une apparence uniforme avec un style de produit similaire et comparable au style du produit initialement acheté.
3. Remplacer les produits initialement achetés, par un ou des produit(s) similaires ou comparables jusqu'à une valeur égale au coût du/des produit(s) initialement acheté.

Si des composants sont remplacés, le fabricant ne garantit pas que la finition de ces remplacements correspondra exactement à la finition et l'aspect des composants de l'application résidentielle. Cela étant en raison des changements qui se produisent pendant le processus de vieillissement naturel du bois, affectant sa couleur et le grain.

Les produits naturels comme le bois et la pierre sont sélectionnés pour leur aspect et leur texture distincts. Le bois possède

un motif de grain unique, des nœuds et des variations de couleurs. Ces caractéristiques uniques sont ce qui différencie le bois solide des stratifiés et des autres produits d'imitation de bois. La pierre naturelle a des ponctuations, des fissures, des veines et des inclusions qui se produisent naturellement et améliorent sa beauté et sa valeur. Ces inclusions différencient la pierre naturelle des matières synthétiques. Les caractéristiques naturelles du bois et de la pierre ne sont pas des défauts et ne justifient pas le remplacement sauf si elles affaiblissent ou compromettent l'intégrité de l'armoire de vanité ou le comptoir de pierre.

Les bois naturels peuvent varier en termes de couleur et de caractéristiques et présentent des changements subtils en vieillissant. La lumière du soleil, la fumée, les produits de nettoyage domestiques et d'autres facteurs environnementaux peuvent également affecter la correspondance de couleur au fil du temps. Ces variations sont considérées comme la nature des matériaux en relation avec l'exposition à l'environnement et ne sont pas couvertes par cette garantie.

VanGo Designer Vanities se réserve le droit de modifier la conception et les caractéristiques et d'apporter des modifications similaires aux produits déjà fabriqués, sans obligation.

Le bois que nous utilisons pour fabriquer votre armoire de vanité a été séché au four. Cette faible teneur en humidité combinée à la conception des portes et des tiroirs sera capable de résister aux variations normales saisonnières de l'humidité dans votre maison. Votre maison devrait être maintenue à environ 40-50 % d'humidité relative. Si le niveau d'humidité est trop faible, les portes et les joints dans le bois peuvent se rétrécir et ouvrir. Si le niveau d'humidité est élevé, les portes et les joints pourraient éventuellement se gonfler et se fissurer. Un humidificateur ou un déshumidificateur peut être nécessaire afin d'équilibrer les niveaux d'humidité dans votre maison.

Pour obtenir un/des remplacement(s) en vertu des garanties de 1 an et limitée de VanGo Designer Vanities, contactez premièrement votre concession ou distributeur autorisé, qui organisera l'inspection de l'armoire. Un reçu daté est nécessaire comme preuve d'achat pour obtenir les avantages de cette garantie.

Si vous avez des difficultés à obtenir de l'aide, veuillez communiquer avec notre siège social commercial :

C : customerservice@vangovanities.com